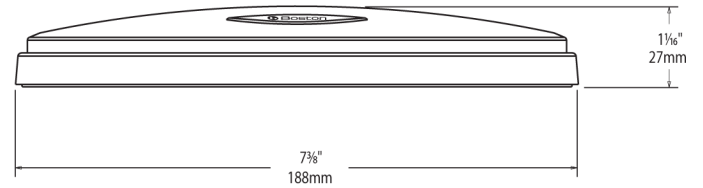
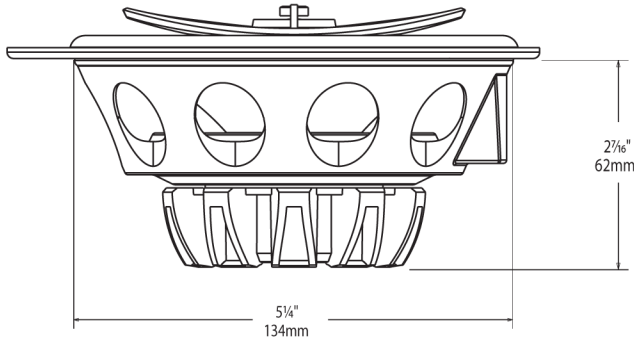


performance coaxial speakers

SR65

Specifications	SR65
Nominal Size	6½" (160/165mm)
RMS Power Handling	75 watts
Peak Power Handling	200 watts
Nominal Impedance	4 ohms
Frequency Response	50Hz-20kHz (±3dB)
Sensitivity	90dB (1watt @ 1meter)

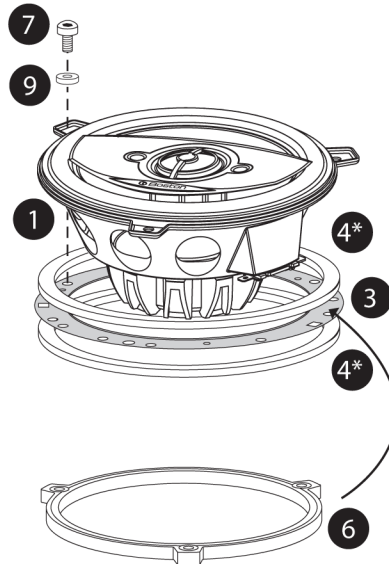
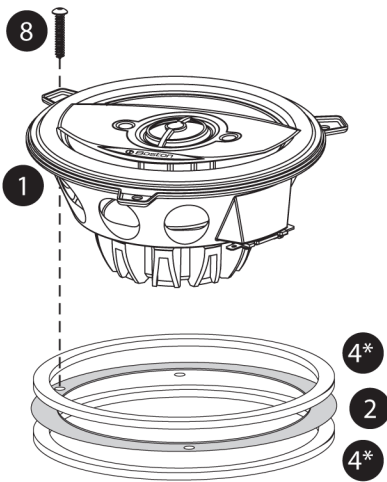
#	Description	Quantity
1	SR65 Speaker	2
2	6" (160mm) Adapter	2
3	6½" (165mm) Adapter	2
4	Woofer Gasket	4
not shown	Woofer Hardware Package	1
5	Woofer Grille	2
6	½" (13mm) Spacer	2
not shown	#8 x ¾" Pan Head Screw	8
7	#8 x ½" Pan Head Screw	6
not shown	1" Pan Head Screw	2
not shown	½" Pan Head Screw	2
8	#8 x 1" Self-Tapping Screw	20
9	Nylon Washer	6



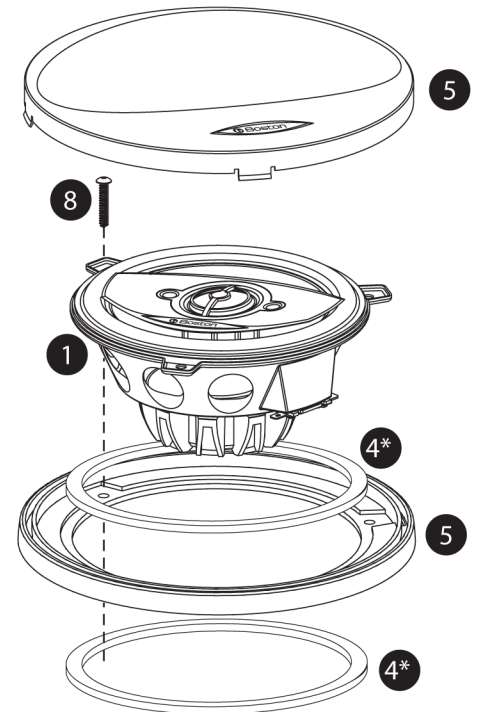
6-inch (160mm) Adapter

6½-inch (165mm) Adapter

Grille Installation



Optional ½-inch (13mm) Spacer



*Use both top and bottom gaskets

Boston Acoustics, Inc. 300 Jubilee Drive, Peabody, MA 01960 USA

T: 978.538.5000 F: 978.538.5100 W: bostonacoustics.com

Boston, Boston Acoustics, and the Boston Acoustics logo are registered trademarks of Boston Acoustics, Inc.

Specifications are subject to change without notice.

© 2009 Boston Acoustics, Inc. All rights reserved. Covered by patents issued and/or pending.